

# EVACUATE SIGN



## DESCRIPTION

DEMCO's Evacuate Sign D-110 is a versatile, compact ultra-bright that is designed ideally for fire, security and hazard warning.

The solid-state LED Evacuate Sign offers high intensity of illumination at very low current consumption.

The lens and base are designed using a high grade Polycarbonate engineering plastic that has excellent resistance to impact and heat.

D-110 is designed to work effectively with most detection systems incorporation central control equipment. It is ideal for low current applications such as battery powered alarm panels where back up battery power is dramatically reduced.

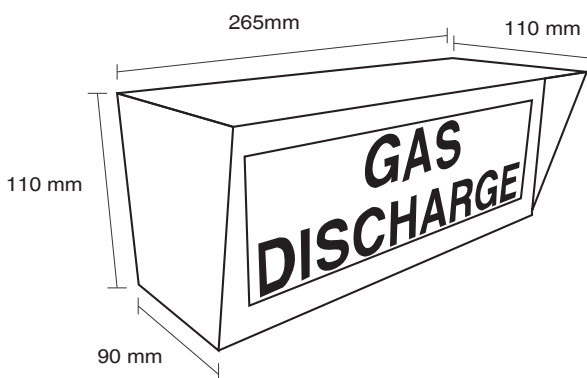
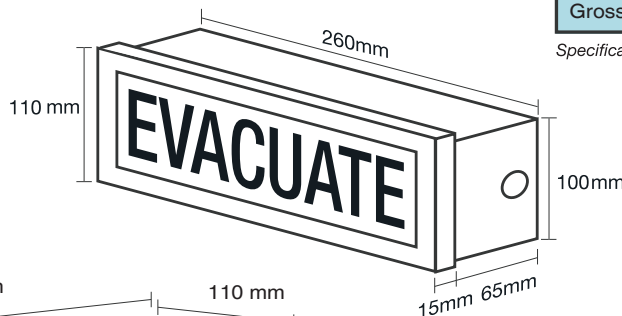
## SPECIFICATION

Dimensions LxHxDxD1(roof)	265 x110 x90 80 mm
Lens Colour	Red
Casing Colour	Black
Lens Material	Polycarbonate
Casing Material	Mild Steel
Operating Voltage	24V DC
Operating Current	30mA
Flashing Rate	140 Flash per minute @ 24V
Fixing Method	Direct fixing using screw
Cable Routing	Rear and side antry
Ultra Bright LED	6 pcs
Sound Level	62dB @ 1 meter
Gross Weight	1.4 kgs

Specifications are subject to change.

## DEMCO ADVANTAGES

- Durable - Tough industrial design constructed with mild steel'
- Luminary: Ultra Bright LED
- Easy visible access from side and rear.
- Buzzer available upon request
- optional: Different Range of Casing Colour
- Specific languages available on facial layout upon request.



Lot 3928, Jalan Keretapi Lama  
Off Jalan Kapar 5 1/2 Miles  
42100 Klang  
Selangor Darul Ehsan  
West Malaysia  
Tel: 603-3290 3333  
Fax: 603-3290 2288  
E-mail: sales@demcoalarm.com  
demco@tm.net.my

