



3 zone Fire Extinguishant control panel (to BS/EN12094-1) c/w 3A EN54-4 PSU & 128 x64 pixel graphical LCD display. LPCB Approved.

Product Code: EP203/CON



LPCB certified to EN 12094-1 (the European standard for Fixed Firefighting Systems - Components for Gas Extinguishing Systems) and EN54-2/4, the EP203 three zone automatic extinguisher panel epitomises quality, durability and reliability.

Specifically designed for use in areas housing expensive, dangerous or irreplaceable items of equipment, it features an intuitive 128 x 64 pixel display that gives clear and concise feedback to the user, installer and commissioning engineer. It has six monitored inputs (including hold & abort), a time stamped log, adjustable flood times and volt-free changeover relays for fire, local fire, 1st stage active, 2nd stage active, extractor fan and fault.

All of the panel's electronics - apart from its powerful 3A EN54-4 switch mode PSU - are mounted on a detachable metal bridge plate for ease of installation. A wide range of ancillaries are also available including remote status units, hold-off & abort buttons, line terminators and relay boards.



www.contextplus.co.uk

Email: sales@contextplus.co.uk Tel: +44 161 257 2541 Fax: +44 161 225 8817

[Context Plus Ltd](#), PROGRESS HOUSE, NEWBY INDUSTRIAL ESTATE, NEWBY ROAD, HAZEL GROVE, STOCKPORT SK7 5DA, UNITED KINGDOM



- Certified to EN54-2/4 and EN12094-1 by the Loss Prevention Certification Board (LPCB)
- Functions as a standard 3 zone fire panel with additional circuitry for controlling the release of fire-suppressing gas.
- 128 x 64 pixel display.
- Any combination of activated zones can be programmed to automatically start the panel's extinguishant release sequence.
- Manual release button and two keyswitches.
- 3 conventional sounder circuits (two x 1st stage, one x 2nd stage).
- Powerful 3A EN54-4 switch mode PSU.
- Wide range of monitored inputs and auxiliary outputs.
- Abort and hold inputs.
- Time-stamped event log.
- RS485 connections for up to 8 flush or surface remote status units with their own LCDs, manual release and mode switches. Single gang economy status units also available.
- Wide range of engineering functions.
- Optional relay expansion boards and single gang abort & hold buttons
- Ideal for use in computer rooms, telecommunication centres, archive storage areas, museums, etc.
- System line terminator included.

www.contextplus.co.uk

Email: sales@contextplus.co.uk Tel: +44 161 257 2541 Fax: +44 161 225 8817

[Context Plus Ltd](#), PROGRESS HOUSE, NEWBY INDUSTRIAL ESTATE, NEWBY ROAD, HAZEL GROVE, STOCKPORT SK7 5DA, UNITED KINGDOM



TECHNICAL SPECIFICATIONS

Approvals/certifications	Certified to EN12094-1 and EN54-2/4 by the LPCB (176c) / (0832-CPD-0794).
Mains supply	230V 50/60Hz.
Mains rated current	810mA max.
Internal power supply	19V-28.5V (27V nominal). Ripple 7V maximum (battery fault).
Total output current limited to	1.5A @ 230Vac continuous, 3A peak (ImaxA eq 800mA).
Quiescent current	40mA (on mains fail). Zone quiescent 2mA max.
Max battery size and type	2 x 12V 7Ah VRLA connected in series.
No. of detector zone circuits	3 @ 19-28Vdc (Max. length per circuit is 250m).
Max. devices per detector zone	20 detectors (or 32 detectors/manual call points combined).
No. of conventional sounder circuits	3 (two x 1st stage; one x 2nd stage). Max. length per circuit is 50m).
EOL resistor value	6800Ω 5% Tol. 0/25W (blue, grey, red, gold).
Max. sounder output current	3 x 200mA.
Auxiliary relays	Six: (1) Fire; (2) Local Fire; (3) Extract Fan; (4) 1st Stage; (5) 2nd Stage; (6) Fault. Volt free single pole changeover. Max. switch current 1A; Max. switch voltage 30Vdc. Five additional relays available via EP212 relay card.
Other outputs	Extinguishant release (21-28Vdc, rated at 1A for 5 mins). Programmable to delay by 0-60 seconds; to be active for 1-300 seconds and to flood for 60-1800 seconds.
Auxiliary inputs	Six: (1) Manual Release; (2) Flow Switch; (3) Low Pressure; (4) Mode; (5) Hold; (6) Abort. 8K-2KΩ normal; 1.8K-200Ω active; 150-0Ω short circuit. EOL value: 6K8 +/-5%, 0.25W.
Indicators	Multiple indicators are provided - refer to the EP203/CON instructions for details.

www.contextplus.co.uk

Email: sales@contextplus.co.uk Tel: +44 161 257 2541 Fax: +44 161 225 8817

Context Plus Ltd, PROGRESS HOUSE, NEWBY INDUSTRIAL ESTATE, NEWBY ROAD, HAZEL GROVE, STOCKPORT SK7 5DA, UNITED KINGDOM



Controls

Extinguishant release (housed in yellow casing); Accessed keyswitch; Operation keyswitch (Manual only or Manual & Auto); Buttons for Menu; Silence internal sounder; reset panel; silence/resound sounders and scrolling.

Expansion connections

Yes - for up to 8 x Remote status units (2 wire RS485 + 2 wire power) and/or up to 8 x Economy status units (2 wire power + 2 wire mode select).

Product dimensions (mm)

439 W x 276 H x 70 D mm (back box); 467 W x 293 H x 29 D mm (lid).

Construction & finish

Metal back box; metal chassis' plastic lid.

IP Rating

IP30.

Weight

4.2kg (without batteries).

Operating conditions/temperature

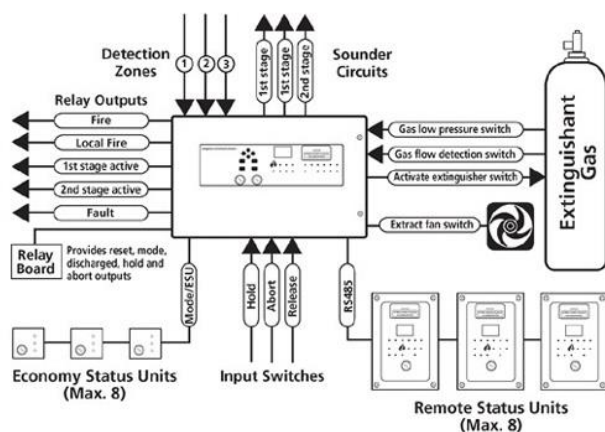
-5°C to +40°C. Max relative humidity: 95%.

Product dimensions (overall):

467 W x 293 H x 85 D mm.

Hole required for flush mounting:

440 W x 277 H x 40 D mm. No bezel available.



www.contextplus.co.uk

Email: sales@contextplus.co.uk Tel: +44 161 257 2541 Fax: +44 161 225 8817

Context Plus Ltd, PROGRESS HOUSE, NEWBY INDUSTRIAL ESTATE, NEWBY ROAD, HAZEL GROVE, STOCKPORT SK7 5DA, UNITED KINGDOM