



WIRELESS CCTV SYSTEM




DA 1206

- Freq. : 1.2 Ghz
- Gain : 6 dBi
- Connector : SMA
- Length : 30 x 14 x 9 cm
- Weight : 0.65 Kg




DA 1212

- Freq. : 1.2 Ghz
- Gain : 12 dBi
- Connector : SMA
- Length : 53 x 14 x 9 cm
- Weight : 0.8 Kg



DA 2409

- Freq. : 2.4 Ghz
- Gain : 9 dBi
- Connector : SMA
- Length : 30 x 14 x 9 cm
- Weight : 0.65 Kg




DA 2413

- Freq. : 2.4 Ghz
- Gain : 13 dBi
- Connector : SMA
- Length : 77
- Weight : 1 Kg



VS-091 , VS-095 , VS-121 , VS-125
WIRELESS AUDIO/VIDEO TRANSMITTER SERIES

- 4 Channels selectable by DIP Switch
- 900/1200 MHz wireless Video/ Audio transmitter device
- Transmission range 300 M (VS091/VS121) -100mW
500 M (VS095/VS125) - 500mW



RM1255R / RM2455R
WIRELESS AUDIO/VIDEO RECEIVER SERIES

- 4 Channels 1.2/2.4 GHz Wireless Video + Audio Receiver
- Be applicable for receiving AV signal from all 1.2/2.4 Ghz Transmitter
- Equipped with High Performance 5.5" TFT LCD Color Monitor
- Display Screen Resolution : 600(H) x 234(V)
- Dot Pitch : 0.107(H) x 0.316(V)
- Audio/Video Input and Audio/Video output available



VS1210-8 , VS2410-8
1 WATT WIRELESS AUDIO-VIDEO TRANSMITTER SERIES

- 8 Channels Selectable by DIP Switch
- 1200/2400 MHz Wireless Video + Audio transmitter module
- Transmission range 4000m (Outdoor with YAKI Directional Antenna)



VR1200-8, VR2400-8
WIRELESS AUDIO/VIDEO RECEIVER SERIES

- Receive Wireless Signal From Transmitter
- 8 Channels Selectable by DIP Switch
- Compact Size



VR900, VR1200, VR2400
WIRELESS AUDIO/VIDEO RECEIVER SERIES

- Receive Wireless Signal From Transmitter
- 4 Channels Selectable by DIP Switch
- Compact Size



VRE 1208
Receiver with built in decryption device 1W - 8 channels

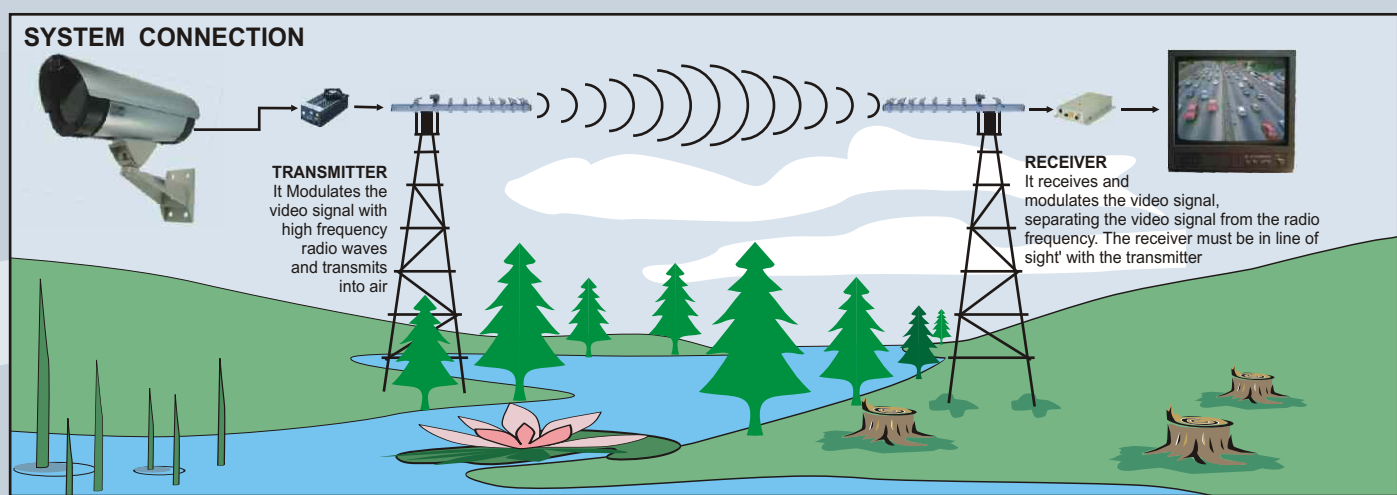


END256
ENCRYPTION DEVICE

- Encryption : Video Signal
- Encryption : 2¹⁶ Times
- Video In / Output : Standard



VSE1210-8
Transmitter with built in encryption device 1W-8 channels



POSITIONING DEVICE



IP 224



WP 224



IP 223



WP 222



IPT 221

Specification	IP 223	IP 224	WP 222	WP 224
Angular Travel	352°	350°	355°	350°
Speed	5°/sec	6°/sec	6°/sec	6°/sec
Load Rating	10 kg	3 kg	8.5 Kg	3 kg
Application	Indoor		Outdoor	



OPT 600



OPT 600R
(Built in Telemetry Receiver)



OPT 150

Specification	IPT 221	OPT 600/R	OPT 150
Angular Travel	Pan 352°, Tilt 60°	Pan 355° Tilt -50 ~50°	Pan 355°, Tilt 20~90°
Speed	Pan 5°/sec, Tilt 3°/sec	Pan 5°/sec, tilt 5°/sec	Pan 6°/sec, tilt 3°/sec
Load Rating	10 Kg	6 Kg	15 Kg
Application	Indoor	Outdoor	

POSITIONING DEVICE CONTROLLER



MPT06-220
6 CH MULTIPLE PAN / TILT AND LENS CONTROLLER



SC5-220-N
SCANNER CONTROLLER
5 Channels




SC1-220
SCANNER CONTROLLER
1 Channel



PTZC1-220
1 Ch PAN / TILT AND ZOOM LENS CONTROLLER

TELEMETRY RECEIVER



TMR200X
TELEMETRY RECEIVER

- Input voltage : 220VAC± 10%
- Pan/tilt voltage : 220VAC/1.0A or 24VAC/1.0A
- Camera voltage : ± 2~15VDC/250mA
- Auxiliary switch : 275VAC/7A
- Control signal type : Two core shield twisted lines

