

Nurse Call



- Lamp memory intercom: Sub's call-in with tone & light, staying
- Press-to-talk or handset auto voice actuation
- Selective, group of 10 subs or All call.

- Call button & corridor lamp for subs area.

Press-to-talk communication

NEM-10/C, 10-call master
NEM-20/C, 20-call master

NEM-30/C, 30-call master
NEM-40/C, 40-call master

Press-to-talk & handset communication

NEM-10A/C, 10-call master
NEM-20A/C, 20-call master

NEM-30A/C, 30-call master
NEM-40A/C, 40-call master

NA-A, desk/wall sub

NA-AN, desk/wall sub w/privacy

NB-L
Ceiling

NA-T/A
Handset sub

NAR-6A
Call button

NBY-4A
Corridor light
**NBY-4AS: for 4~8 subs*

NAR-3
Round corridor light

NA-NE
Flush aluminum panel

NBR-7AS
Bathroom pullcord, moisture-resistant
**NBR-7AS-S: for patient room*

NBY-1A
Metal jack for NBR-8A

NBR-8A
Bedside call switch

NAR-2A
Call reset button

Options

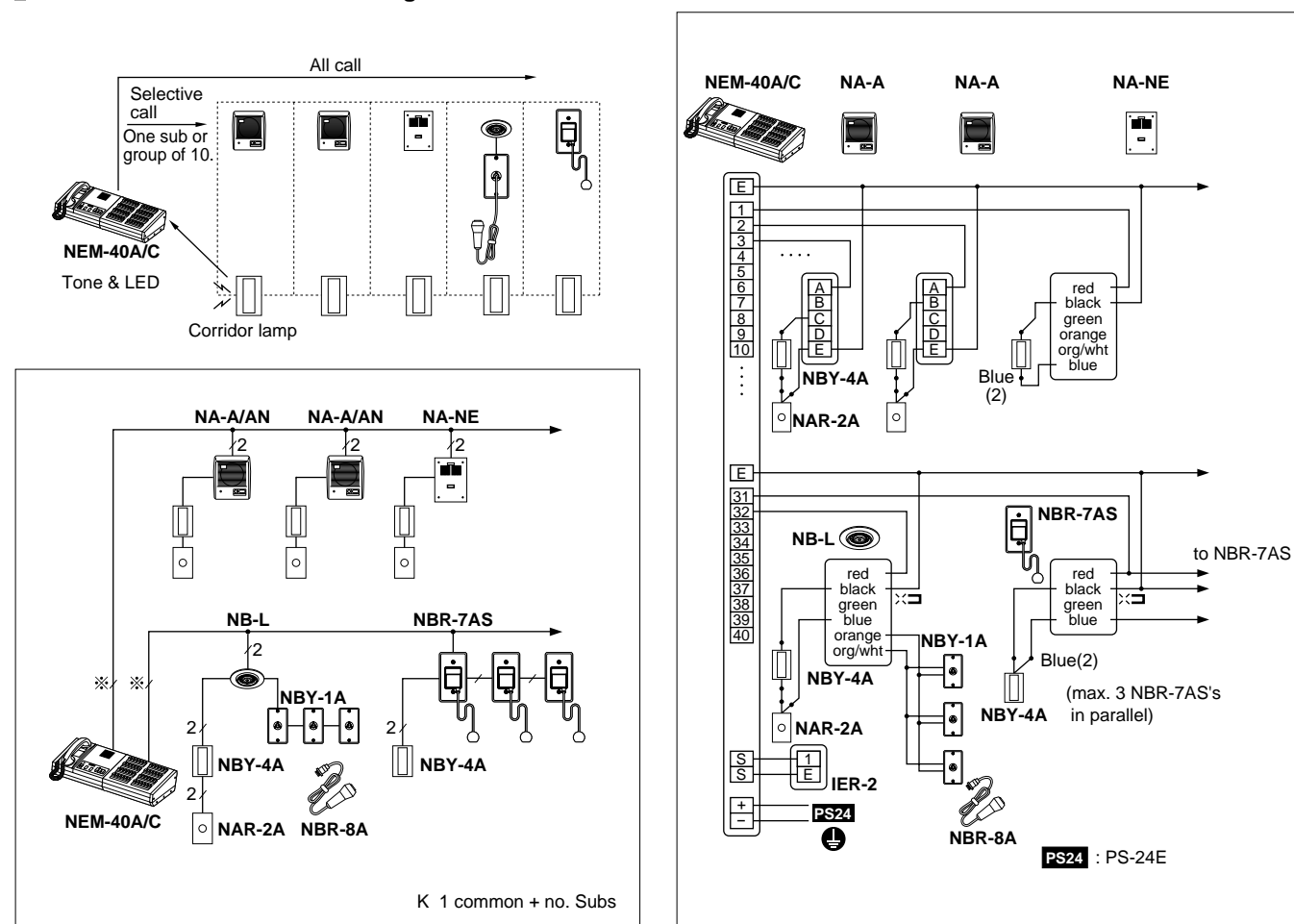
NB-U
Music adaptor
→ P.89

NEW-5
Dual-master call adaptor for NEM-n(A)/C (n=10, 20, 30, 40) → P.89

IER-2
Call extension
→ P.96

Call switching device
NBJ-20, for NEM-10/C, 20/C
NBJ-40, for NEM-30/C, 40/C
NBJ-20B, for NEM-10A/C, 20A/C
NBJ-40B, for NEM-30A/C, 40A/C → P.89

Communication network & wiring



System components

Master stations		
Capacity	Press-to-talk	Press-to-talk/handset
10-call	NEM-10/C	NEM-10A/C
20-call	NEM-20/C	NEM-20A/C
30-call	NEM-30/C	NEM-30A/C
40-call	NEM-40/C	NEM-40A/C

Sub stations	
NA-A , Desk/wall	NB-L , Ceiling
NA-AN , Desk/wall w/privacy	NA-NE , Flush-mount
NA-T/A , Handset sub	

Health care accessories	
NBY-1A , Metal jack for NBR-8A	NBY-4A , Corridor light
NBR-8A , Bedside call button	NAR-6A , Call button
NAR-2A , Call reset button	NBR-7AS , Bathroom pullcord, moisture-resistant
NAR-3 , Round corridor light	

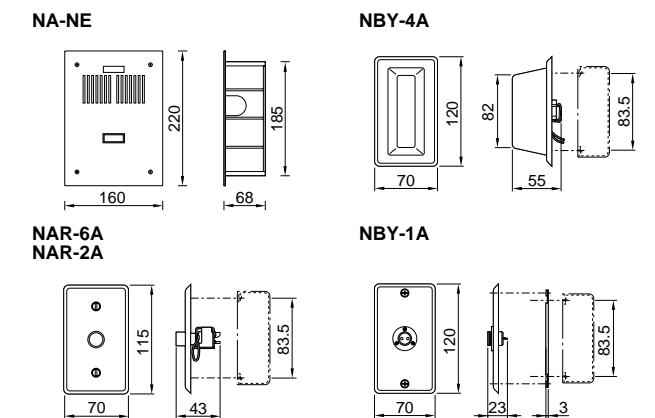
Master stations			
NEM-40/C	NEM-40A/C		
346	446	176	140
496	596		

	H	W	D (mm)
NEM-10/C, NEM-20/C	140	346	260
NEM-30/C, NEM-40/C	140	496	260
NEM-10A/C, NEM-20A/C	176	446	260
NEM-30A/C, NEM-40A/C	176	596	260

NB-L
180, 15, 47.5

NA-A/AN
169, 142, 74

NA-T/A
232, 94, 105

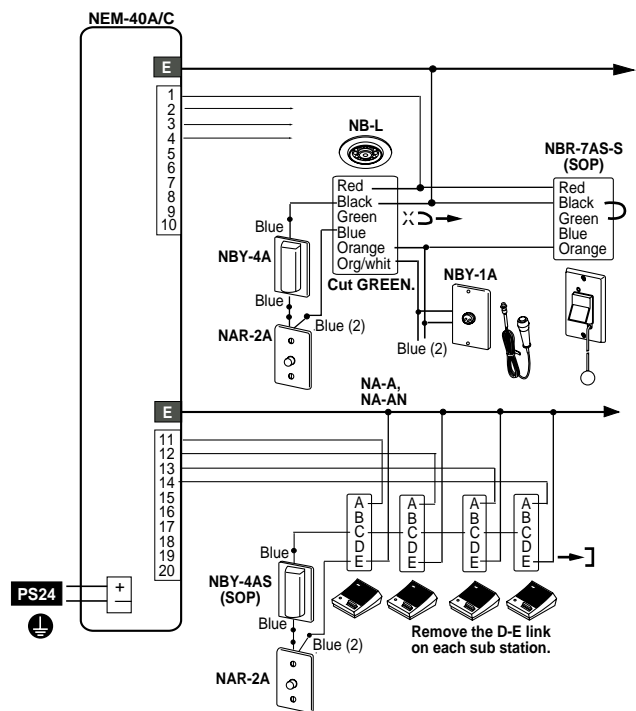
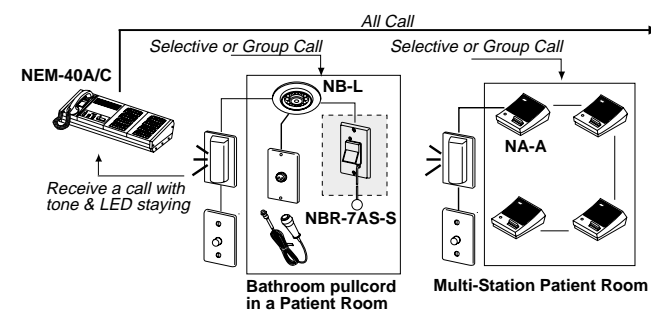


Specifications (NEM-40A/C)

Power source	24V DC, 45W max. 2.5W standby (NEM-40/C)	
Power supply	PS-24E	
Communication	Sub calls in w/tone & LED staying at master. Press TALK button to transmit, release to listen, or lift handset. At sub, pretone and voice upon selected. Talk handsfree. Press ALL CALL button to activate all subs' speaker.	
Output	500mW max., adjustable. All Call: 6W, 12W. Selectively up to 10 subs w/TALK: 3W	
Wiring	2 wires per sub, non-twisted (1 common + no. Subs)	
Distance	0.65mmø	0.8mmø
• NEM to NA subs	130m	200m



Communication network & wiring



PS24 : PS-24E (for 10~40 subs).

NBR-7AS-S (SOP): Call-in from NBR-7AS-S cannot be cancelled with NAR-2A Call reset button. Press on upper end of Call button on NBR-7AS-S to release the call.

System components

Master stations, 50~120-call (in 10-call steps)

NEM-50~120: Press-to-talk master (w/control adaptor)

NEM-50A~120A: Press-to-talk/handset master (w/control adaptor)

NA-A: Sub station, desk/wall **NA-NE:** Flush mount

NA-AN: Desk/wall, privacy **NB-L:** Ceiling mount

NA-T/A: Handset sub

• *Health care accessories*

NBY-1A: Metal jack panel for NBR-8A

NBR-8A: Bedside call button

NAR-2A: Call reset button

NAR-3: Corridor call light

NBY-4A: Corridor call light

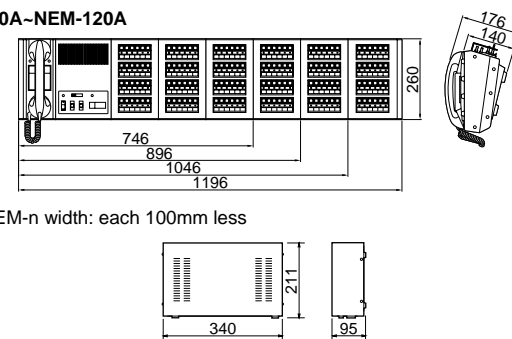
NBY-4AS: for 4~8 sub-patient room (SOP)

NAR-6A: Call button panel

NBR-7AS: Bathroom call pullcord

NBR-7AS-S: for patient private bathroom (SOP)

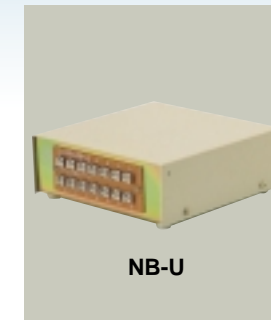
NEM-60A~NEM-120A



Specifications (NEM-120A)

Power source	220V AC, 50/60Hz.	
Power consumption	Max. 180W. 7.5W standby (120-call)	
Call-in	Intermittent tremolo & LED, staying. Pre-tone & voice direct at sub	
Communication	Press-to-talk or handset voice actuation at NEM. Handsfree at sub.	
Output	500mW at NEM & subs	
All call	24W output w/ALL CALL sw.	
Group call	3W output per 10 subs w/TALK sw.	
Wiring	2 wires per sub (1 common + 1)	
Distance	0.65mmø	1.0mmø
• NEM to subs	130m	300m

Music adaptor



• When NEM employs NEW-5 adaptor(s), NB-U can not be used.

USED FOR

NEM-n/C, NEM-nA/C
(n = 10 ~ 40)
NEM-n(A)/7.A (n = 50 ~ 120)

FEATURES

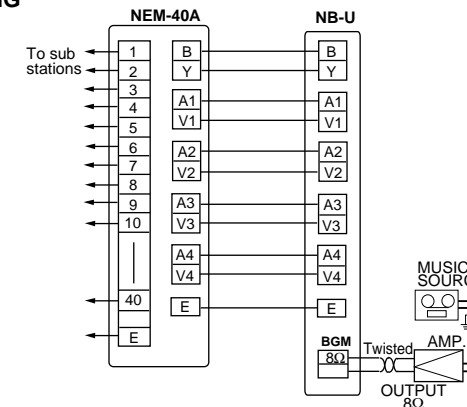
• Distributes music to all subs with auto cutout while communicating.

SPECIFICATIONS

Power source: 6V DC, supplied by NEM.
Permitted input: 5W. 10W at its peak.
Wiring: 3 wires common + 2 per 10-call (max. 11).

Distance:	0.65mmø	0.8mmø
• NB-U to NEM	10m	15m
• NB-U to Amp.	75m	115m

WIRING



Notes:

- Remove a jumper between A1~V1, A2~V2, A3~V3, A4~V4 on master station.
- Amplifier requirements: Input: 100mV for rated output. 10W w/8Ω output or 10W w/4~16Ω output.
- Do not use 1KΩ output on the amplifier.

Dual-master call adaptor



* NEW-5 can not be used w/NEM-n, NEM-nA (n= 50~120)

USED FOR

NEM-n/C, NEM-nA/C
(n=10~40)

FEATURES

• Common NA subs place a call ringing two NEM masters.

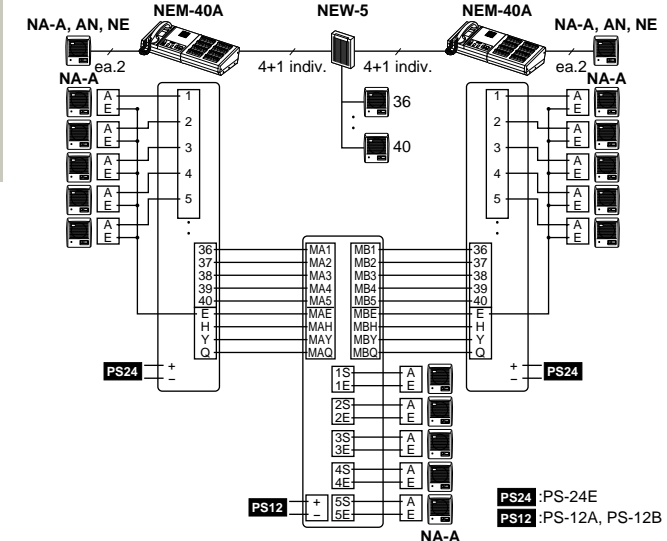
SPECIFICATIONS

Power source: 12V DC.
Power supply: PS-12A, PS-12B
Capacity: 5 subs per NEW-5. Max. 8 adaptors for NEM-40(A)/C.

Communication: Separate channel for ea. master.
Wiring: 2 wires, NEW-5 to sub.

Distance:	0.65mmø	0.8mmø
• NEW-5 to sub	130m	200m
• NEW-5 to NEM	100m	150m

WIRING



Call switching device NBJ, NBJ-B



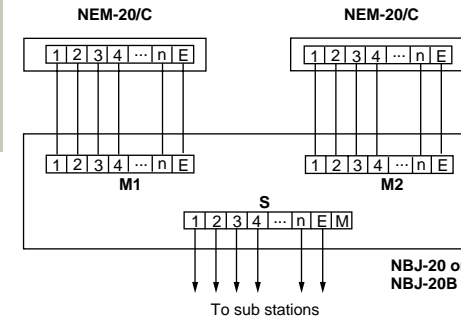
USED FOR

NBJ-20 for NEM-10/C & NEM-20/C
NBJ-40 for NEM-30/C & NEM-40/C
NBJ-20B for NEM-10A/C & NEM-20A/C
NBJ-40B for NEM-30A/C & NEM-40A/C

FEATURES

- Switches all NA sub wiring from one master to the other to route all call-ins to the master on duty.
- NBJ-20 & NBJ-20B are equipped with a rotary switch, and NBJ-40 & NBJ-40B with two rotary switches. When the rotary switch is put to 1 position, all the subs wiring is connected with Master station (M1). To switch the sub wiring to Master station (M2) at a time, put the rotary switch to 2 position.

WIRING



(*): Terminal M remains unused.